

Outdoor light without sensor

L 15

black
EAN 4007841 069179
Article number 069179



Max. 60 W



Max. 60 W E27

IP44



Innenleuchte/ Außenleuchte

3 years

Herstellergarantie



CE

Function description

Everything used to be better. Almost everything. We have added a little nostalgia to the L 15 wall lamp. It is made of high-quality, UV-resistant plastic and has nostalgic details that are reminiscent of times gone by. The timeless design blends harmoniously into any environment and gives your outdoor area a special atmosphere. The outdoor lamp is equipped with an E27 socket that supports incandescent lamps with a maximum power of 60 W as well as energy-saving lamps or LED bulbs with a maximum power of 20 W (bulbs not included). This gives you the freedom to choose the appropriate light source according to your personal preferences and needs. To enable you to mount the luminaire without any problems, we supply you with the necessary mounting accessories right away. To protect the environment, the luminaire is packaged plastic-free, so you get a high-quality product without a guilty conscience. Also available as a version with sensor.

Technical specifications

Dimensions (L x W x H)	243 x 188 x 404 mm	Housing material	Plastic
With lamp	No	Cover material	Glass transparent
Manufacturer's Warranty	3 years	Mains power supply	230 – 240 V / 50 Hz
With remote control	No	Output	60 W
Version	black	Mounting height max.	3,00 m
PU1, EAN	4007841069179	Slave modeselectable	No
Application, place	Outdoors	Photo-cell controller	No
Application, room	outdoors, front door, all round the building, terrace / balcony, courtyard & driveway	Lamp	All-purpose lamp
Colour	black	Base	E27
includes sheet of self-adhesive numbers	No	Basic light level function	No
Installation site	wall	Main light adjustable	No
Impact resistance	IK03	Twilight setting TEACH	No
IP-rating	IP44	Interconnection	No
		Optimum mounting height	2 m

<https://www.steinel.de>

Subject to technical modifications

04.2024 Page 1 from 2

Outdoor light without sensor

L 15

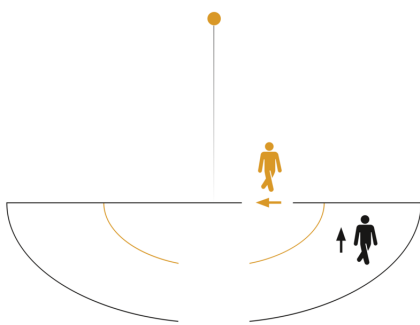
black
EAN 4007841 069179
Article number 069179



Technical specifications

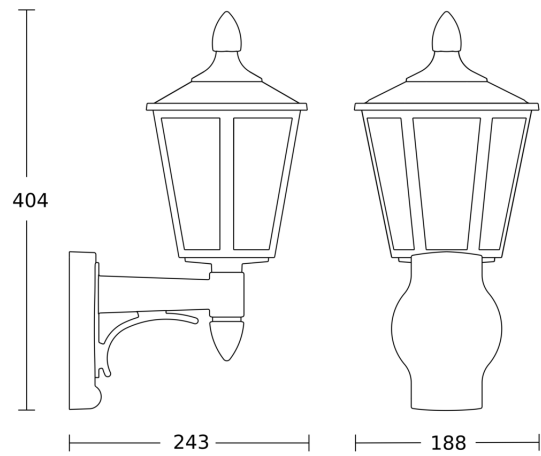
Protection class	II
Ambient temperature	-20 – 40 °C

Detection Zone



Possible mounting height: -
Orange: radial
Black: tangential

Dimension Drawing



Circuit diagram

